

# Technical data sheet



## Product features

### Salamander grill manual 1 heating element fixed grid 230 V

<b>Model</b>	<b>SAP Code</b>	00003926
--------------	-----------------	----------



- Removable rear wall of the device: Yes
- Width of internal part [mm]: 430
- Depth of internal part [mm]: 310
- Number of grid positions: 3

<b>SAP Code</b>	00003926	<b>Net Weight [kg]</b>	14.00
<b>Net Width [mm]</b>	604	<b>Power electric [kW]</b>	2.200
<b>Net Depth [mm]</b>	369	<b>Loading</b>	230 V / 1N - 50 Hz
<b>Net Height [mm]</b>	378		

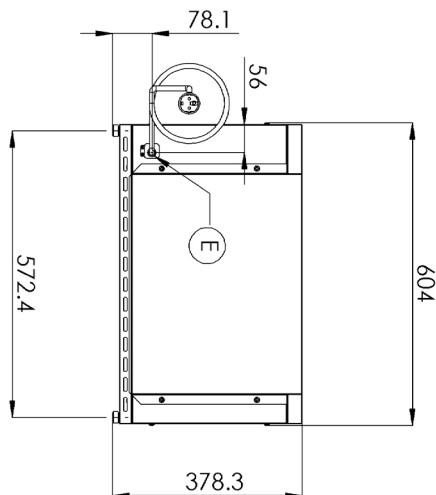
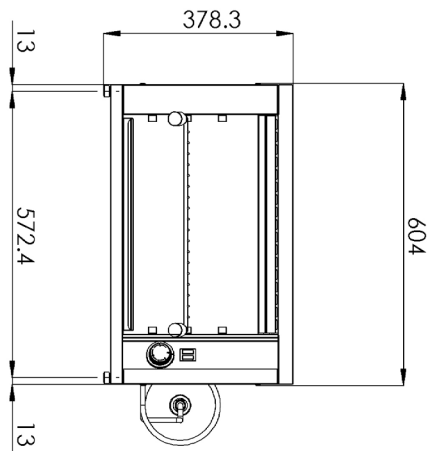
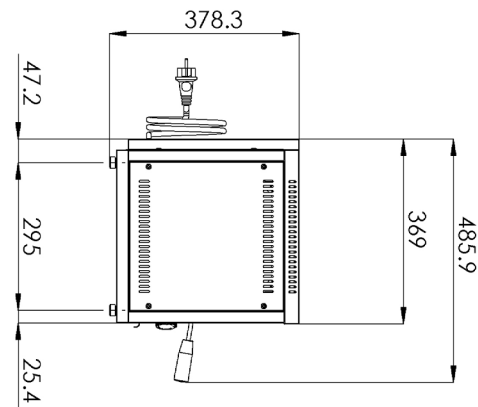
# Technical data sheet

Technical drawing



## Salamander grill manual 1 heating element fixed grid 230 V

<b>Model</b>	<b>SAP Code</b>	00003926
--------------	-----------------	----------



# Technical data sheet



## Technical parameters

### Salamander grill manual 1 heating element fixed grid 230 V

<b>Model</b>	<b>SAP Code</b>	00003926
--------------	-----------------	----------

**1. SAP Code:**

00003926

**2. Net Width [mm]:**

604

**3. Net Depth [mm]:**

369

**4. Net Height [mm]:**

378

**5. Net Weight [kg]:**

14.00

**6. Gross Width [mm]:**

520

**7. Gross depth [mm]:**

640

**8. Gross Height [mm]:**

440

**9. Gross Weight [kg]:**

15.00

**10. Device type:**

Electric unit

**11. Material:**

Stainless steel

**12. Power electric [kW]:**

2.200

**13. Loading:**

230 V / 1N - 50 Hz

**14. Control type:**

Mechanical

**15. Number of grid positions:**

3

**16. Protection of controls:**

IPX4

**17. Number of power control stages:**

3

**18. Number of internal parts:**

3

**19. Removable rear wall of the device:**

Yes

**20. Width of internal part [mm]:**

430

**21. Depth of internal part [mm]:**

310

**22. Cross-section of conductors CU [mm<sup>2</sup>]:**

0,5

- Výkon (kW): 2,4-3,3 (230 V)